



**PROGRESS
ARCHITECTURE**

PROT24-CI

Mounting system for ceiling panels
from expanded metal mesh



Bespoke
design



Spatial
effect



Building
redevelopment



Durability
& resistance



Eco-friendly



No visible
divisions



Hidden
substructure



A1 - A2 fire
classification



Quick access



Minimal depth

■ PROT24-CI

MOUNTING SYSTEM FOR EXPANDED METAL MESH



DESCRIPTION

The "CI" variant of the PROT24 system is designed for the installation of expanded metal ceiling panels with a strand exceeding 2,5mm. The mesh is formatted by cutting and then welded around the perimeter of a special frame. Two opposite edges of the panel are supported by T24 support profiles. The installed panel covers the entire substructure, which remains invisible. Removal of individual panels does not cause the remaining panels to move. In the PROT24-CI variant, the assembled mesh panels continue the mesh pattern and form a uniform surface without visible divisions.

GUIDELINES

The ceiling substructure is composed of a single-level cross-bearing grid. The grid is suspended to the ceiling with slings. The offer includes ceiling infill panels adapted to the T24 substructure.

TECHNICAL PARAMETERS

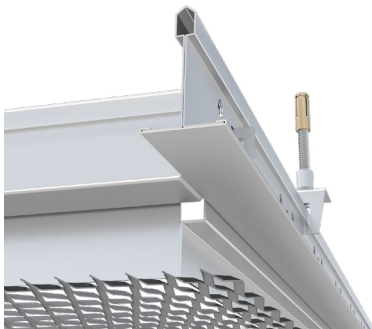
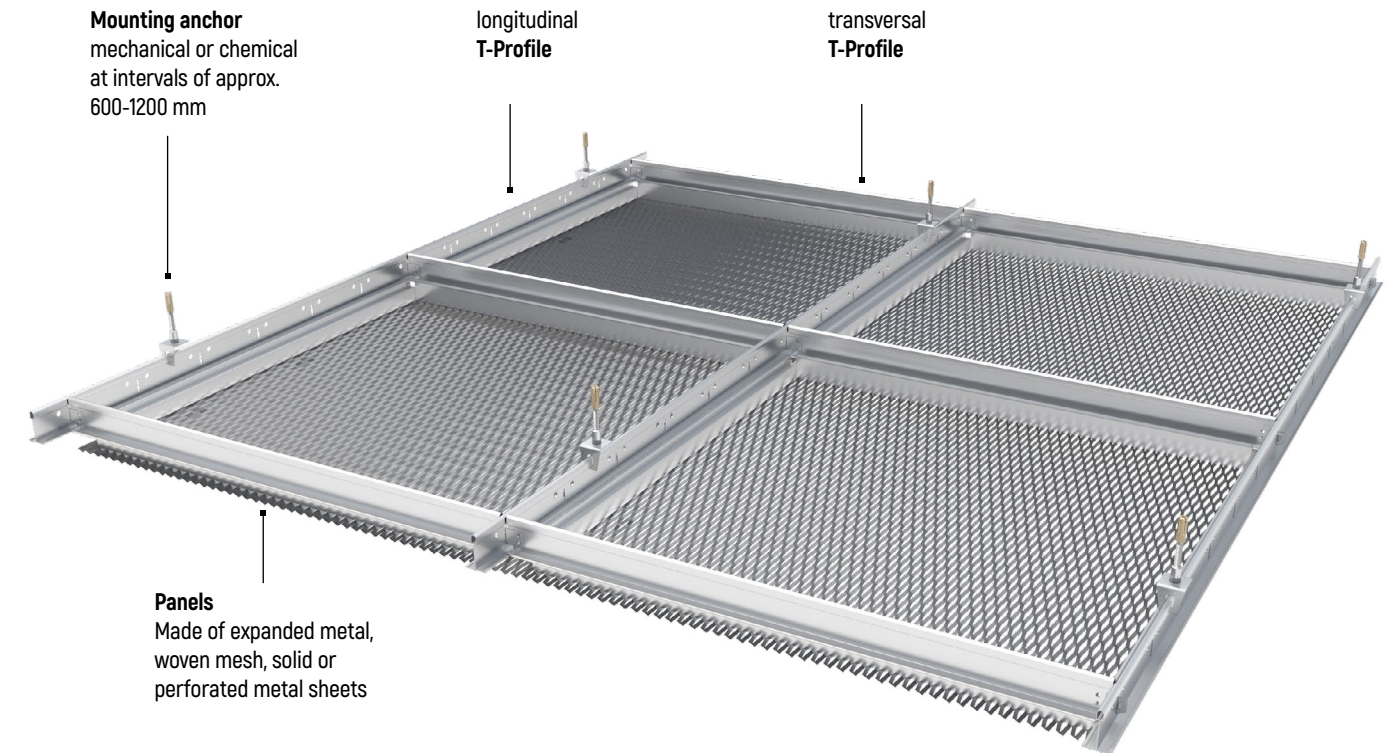
Max. panel width:	1 200 mm
Max. panel length:	1 200 mm
Infill type:	expanded metal mesh
Infill material:	aluminium
Frame:	aluminium
Surface finishing:	powder coating

APPLICATIONS

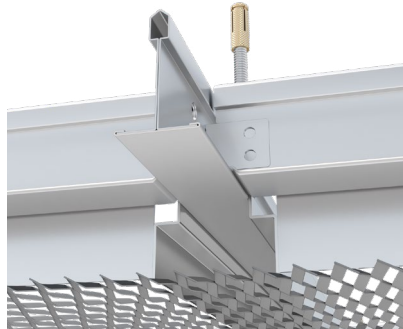
Interior suspended ceilings

■ PROT24-CI

MOUNTING SYSTEM FOR EXPANDED METAL MESH



mesh panels formatted by cutting



mesh panels with hidden substructure

RECOMMENDED MESH MODELS

EXPANDED METAL MESH

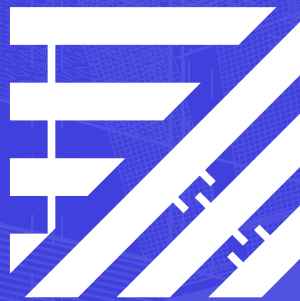
GALLA C025010025

GALLA C030013035

GALLA C050019040

GALLA C063025090

GALLA C100035125



FOLLOW US

